



Options Video Logger Wiring Info

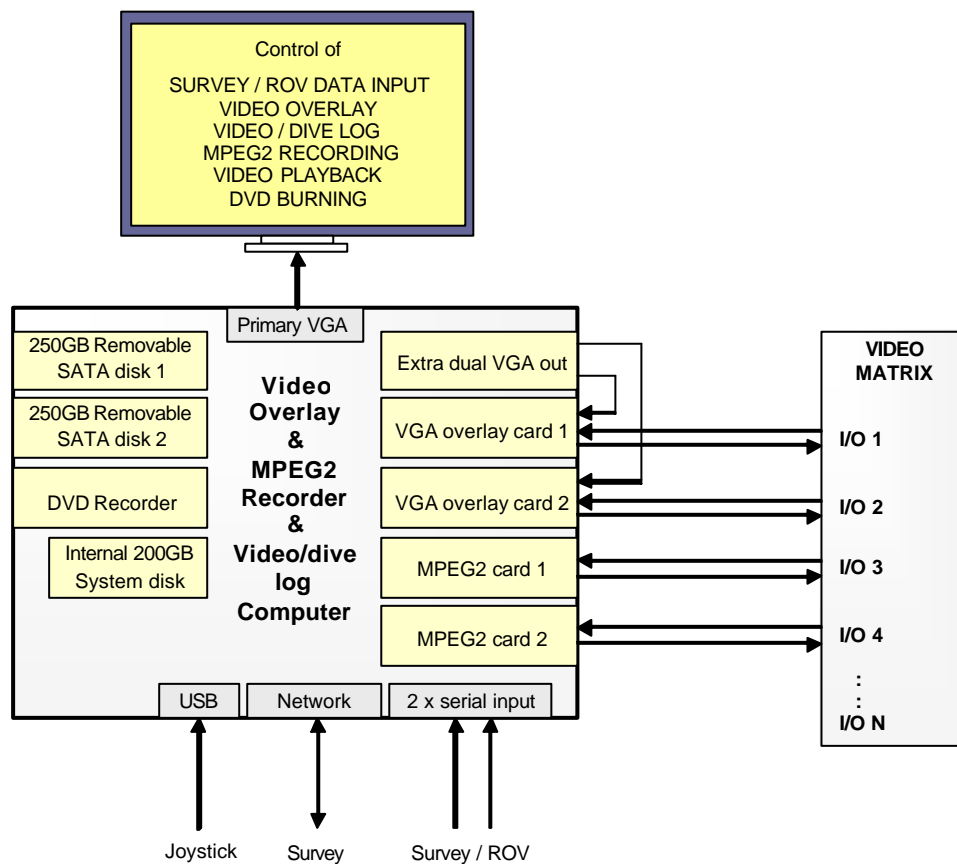
For 2 channel Videologger, serial 28 →

For latest software upgrade and documentation

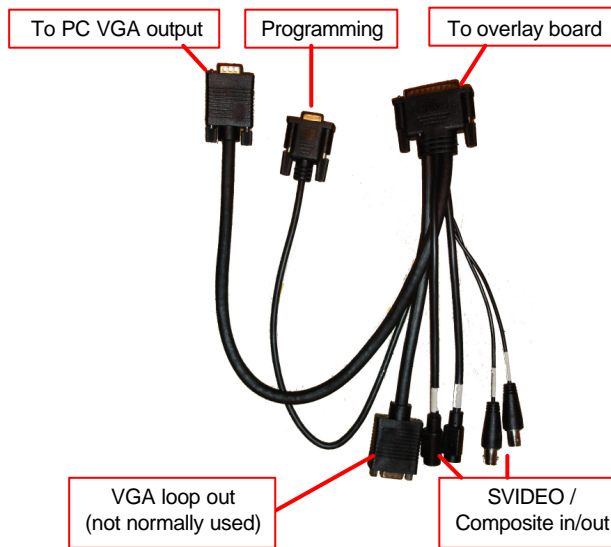
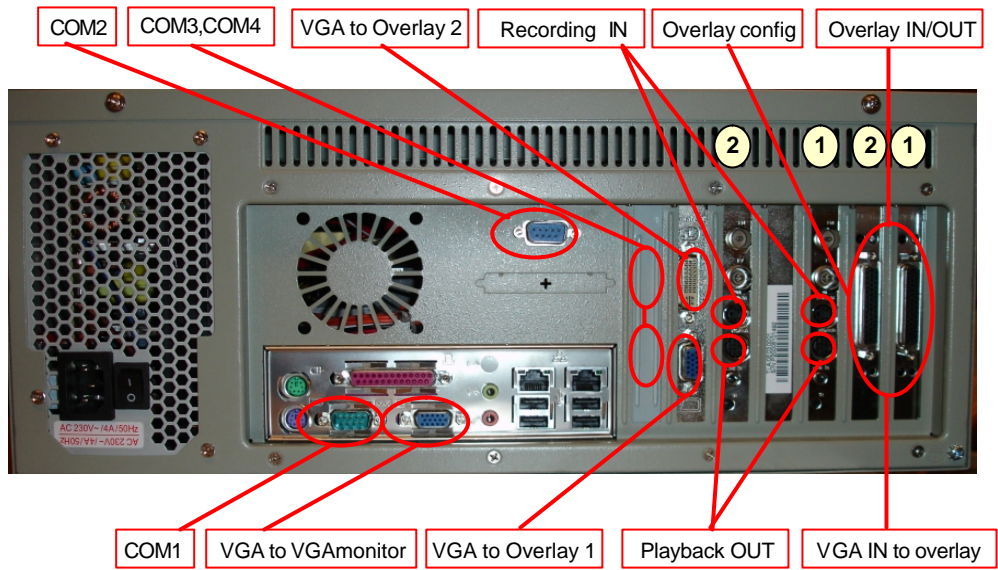
<http://www.videologger.no>

User guide is on disk as PDF file, shortcut on Windows Desktop

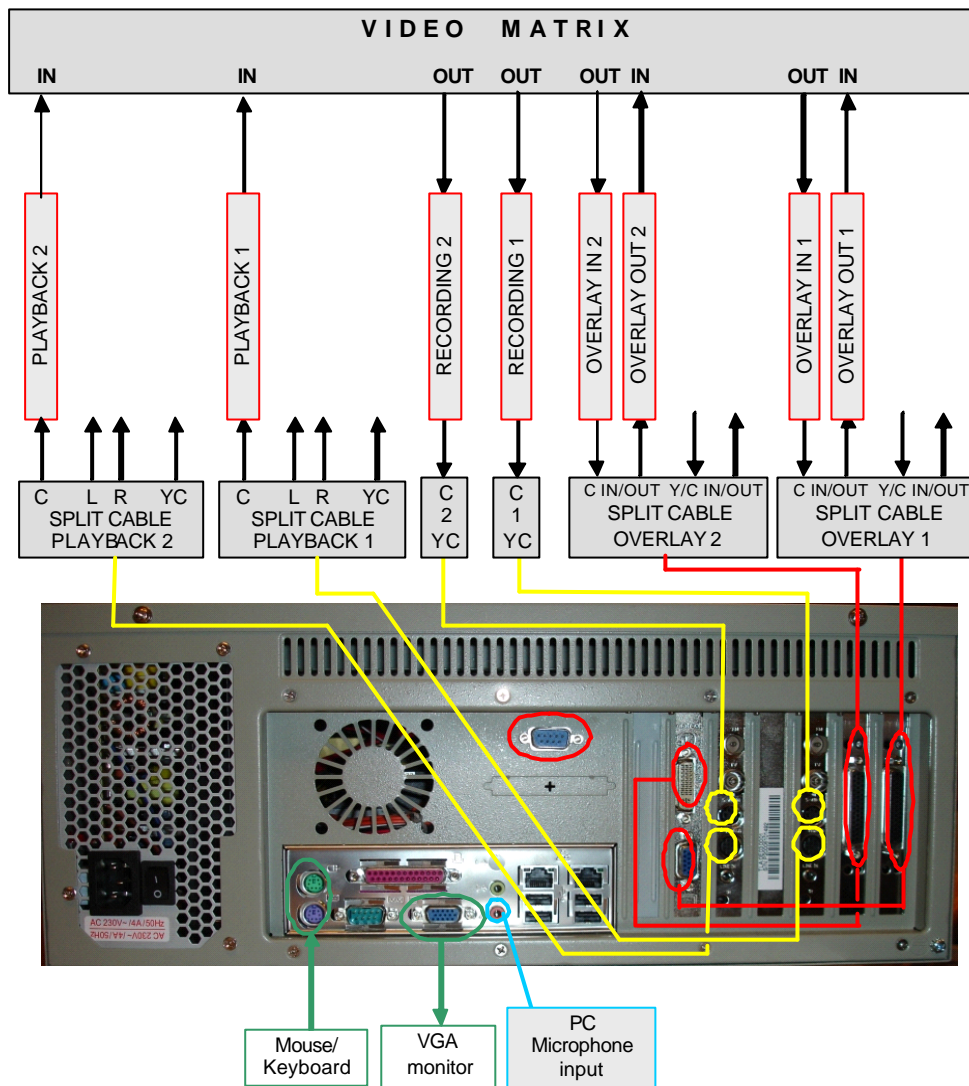
Quick info for wiring of the computer – see also next page
and sticker on the cabinet



1. Connectors and cables



2. Wiring



3. Wiring – step by step

Overlay boards (the rightmost boards when seeing it from behind)

1. Connect splitcables to overlay boards
2. Connect the male DB15 on board #1 (rightmost) to lower VGA output as seen on drawing above.
3. Connect the male DB15 on board #2 (leftmost) to upper DVI output as seen on drawing above. Use DVI to VGA adapter.
4. Connect video outputs from videomatrix to Composite IN connectors
5. Connect Composite OUT connectors to videomatrix video inputs.

Logger boards (identical wiring for both):

6. Connect video input from videomatrix to COMPOSITE/SVIDEO input plug on the middle of the board. Use a Composite to SVIDEO adapter.
7. Optionally also connect video output to videomatrix through the output split cable

NOTE: It is also possible to use special wiring with SVIDEO output from overlay wired directly to SVIDEO input on the logger boards, without looping through the videomatrix. In such case you must configure the inputs to record SVIDEO (see Videologger users guide)